

HyperDrop PAS Mini Technical Specifications

Indoor/Outdoor Patch & Splice Enclosure – IP68

The LYNN HyperDrop PAS Mini IP68-rated patch and splicing enclosure is unique, small and easy to install in a variety of environments, such as underground burial, pole mount, wall mount or wire suspension. The all-plastic housing is made from an ABS and poly-carbonate (PC) blend with UV inhibitors to ensure a long service life in a variety of conditions.



KEY FEATURES

- Ideal for splicing & coupling fiber, twisted pair & other low-voltage cables
- IP68-rated for outdoor installation
- Easy-to-open design with water-tight latching
- Includes easy-to-see fiber splicing tray
- Included grommets accommodate a variety of cable sizes & constructions
- Compatible with fiber couplers, fiber splice connections, keystones & other barrel-style couplers

TECHNICAL SPECIFICATIONS

- **WEIGHT:** 130 g (0.29 lb)
- **DIMENSIONS:** 218 x 70 x 45 mm (8.58 x 2.76 x 1.77 in)
- **MATERIAL:** ABS and polycarbonate (PC) blend
- **COLOR:** Black
- **TEMPERATURE RANGE:** -40°C to 65°C (-40°F to 149°F)
- **ENVIRONMENTAL RATING:** IP68
- **COMPLIANCY:** RoHS
- **COUNTRY OF ORIGIN:** China

INCLUDED ACCESSORIES

- Universal mounting brackets with hardware (M4x6mm screws with red threadlocker (2 ea))
- Drywall anchors with M4x25mm self-tapping wood screws (2 ea)
- M4x12mm screws with blue threadlocker (2 ea)
- M4 wingnuts (2 ea)
- Internal splice tray (installed in enclosure)
- Type A fusion splicing tubes (2 ea)
- Large zip ties: 4.5x192mm (4 ea)
- Small zip ties: 2.5x100mm (2 ea)
- Cable grommets: 3mm round (installed in enclosure) (2 ea), 5mm round (2 ea), 8mm round (2 ea), 11mm round (2 ea)
- Simplex SC/APC coupler
- Duplex LC/UPC coupler (HDPAS-M-Kit only)
- Coax barrel-style coupler (HDPAS-M-Kit only)
- CAT6 keystone coupler (HDPAS-M-Kit only)

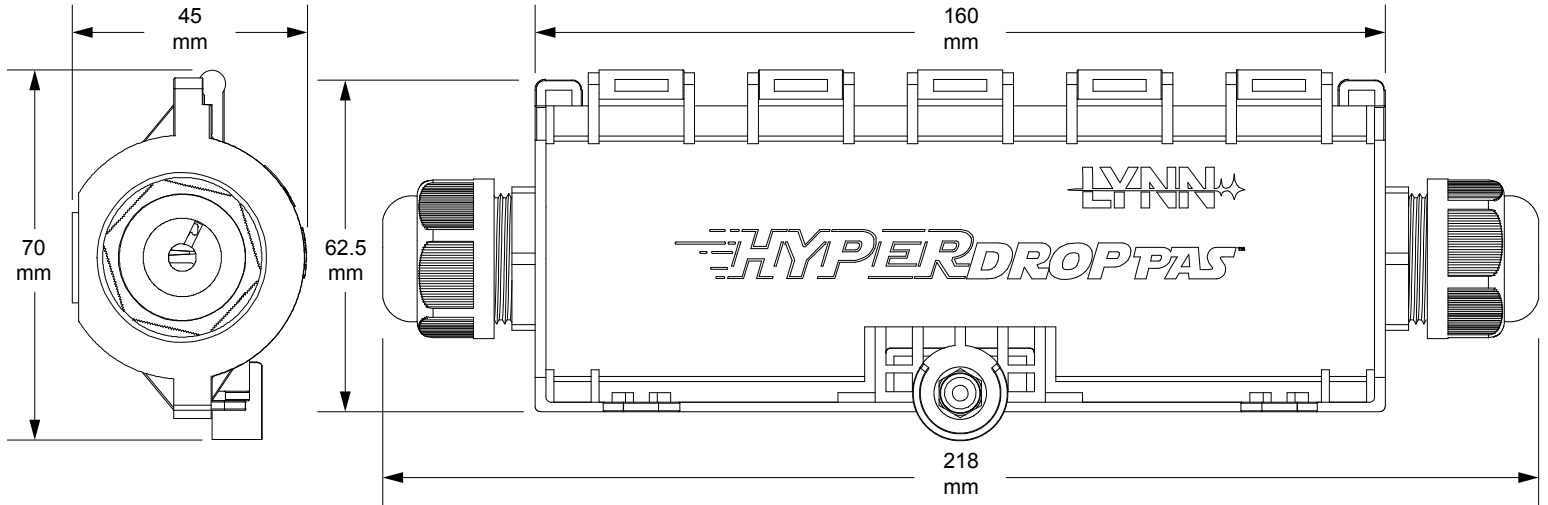
ORDERING INFORMATION

Part Number	Description
HDPAS-M-FTTX	HyperDrop PAS Mini FTTx — in-line IP68 splice/coupler kit – includes splice tray, SC/APC coupler, and mounting hardware
HDPAS-M-KIT	HyperDrop PAS Mini Kit — in-line IP68 splice/coupler kit – includes splice tray, coax, CAT6, LC/SC couplers, and mounting hardware.



HyperDrop PAS Mini Technical Specifications

IMAGES



Dimensional Drawing



Pole Mount Installation



Aerial Installation

CONTACT US



1841 Industrial Ave
San Angelo, TX 76904
(325) 262-4031

www.unitedtelsupply.com

UNITED
TEL • SUPPLY

and

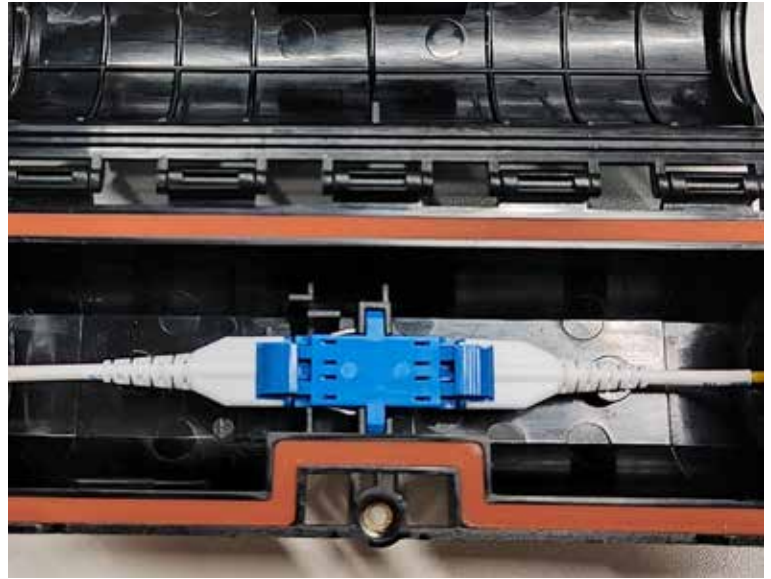
LYNN



HyperDrop PAS Mini Technical Specifications



Fusion Splice



Fiber Optic Coupler



Twisted Pair Keystone



Coaxial Keystone

CONTACT US



1841 Industrial Ave
San Angelo, TX 76904
(325) 262-4031

www.unitedtelsupply.com

UNITED
TEL • SUPPLY

and

LYNN

