

LGX Style PLC Splitters

Ideal for FTTx PON Networks, Planar lightwave circuit (PLC) splitters offer a compact size, high reliability, and wide operating wavelength range. With today's distributed networks PLC splitters are the perfect low cost solution to support any application requiring uniform optical power splitting from 1x2 up to 2x64 combinations. Install anywhere within the network, including rackmount, FDH Panels, Splice Cases, or Fiber Optic Termination NID.



FEATURES

LOW INSERTION LOSS

LOW PDL (POLARIZATION DEPENDENT LOSS)

COMPACT DESIGN

EXCEPTIONAL RELIABILITY AND STABILITY

WIDE OPERATING WAVELENGTH: FROM 1260NM TO 1650NM

WIDE OPERATING TEMPERATURE: FROM -20°C TO 80°C

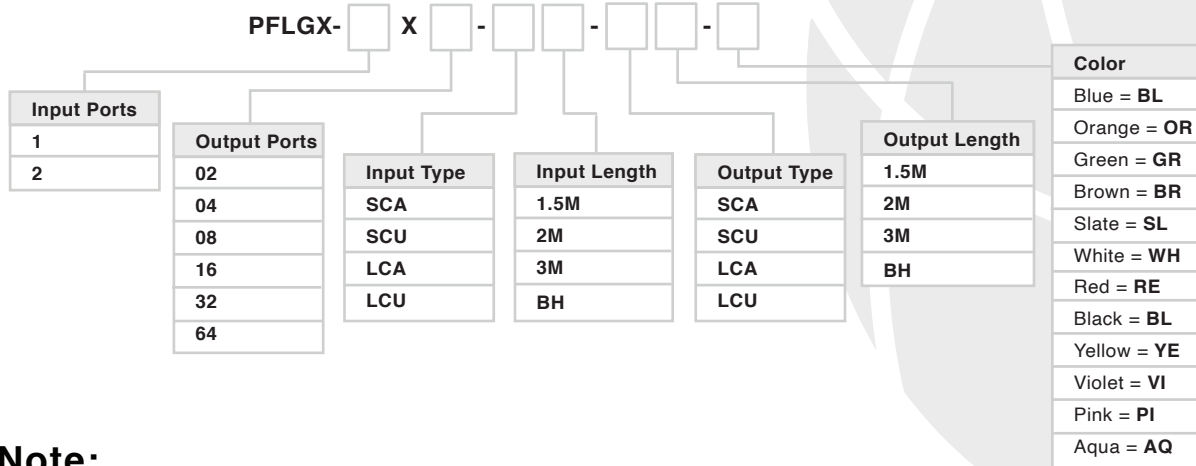
CONFORMED TO ROHS

ORDERING GUIDE

Example Part #'s

PFLGX-1X32-SCABH-SCA2M-YE
 1X32 Splitter with SCA Bulkhead Input to (32) 2 meter SCA Pigtail Output. Yellow

PFLGX-1X04-SCABH-SCABH
 1X4 Splitter with SCA Bulkheads for Input and Output



Note:

BH = Bulkhead

PFLGX-1RU-3P	1RU 3 Position LGX Panel Plate
PFLGX-ENC-1R-19	1RU Rack Mount LGX Fiber Enclosure unloaded, holds up to 3 LGX 1RU Cassettes
PFLGX-ENC-2R-19	2RU Slide-Out Rack Mount LGX Fiber Enclosure unloaded, holds up to 3 LGX 2RU Cassettes



TECHNICAL SPECIFICATION

Parameters	1x2	1x4	1x8	1x16	1x32	1x64
Operating Wavelength (nm)	1260~1650					
Fiber Type	G657A1 or customer specified					
Insertion Loss(dB)	≤4.4	≤7.6	≤10.9	≤13.9	≤17.3	≤21.4
Loss Uniformity (dB)	0.4	0.6	0.8	1.2	1.5	2.0
Polarization Dependent Loss (dB)	0.2	0.2	0.2	0.25	0.3	0.35
Return Loss (dB)	≥50	≥50	≥50	≥50	≥50	≥50
Directivity (db)	≥55	≥55	≥55	≥55	≥55	≥55
Wavelength Dependent Loss (dB)	0.3	0.3	0.3	0.5	0.5	0.5
Operating Temperature (°C)	-40~85					
Storage Temperature (°C)	-40~85					

Parameters	2x2	2x4	2x8	2x16	2x32	2x64
Operating Wavelength (nm)	1260~1650					
Fiber Type	G657A1 or customer specified					
Insertion Loss(dB)	≤4.2	≤7.5	≤11.0	≤14.5	≤17.5	≤21.0
Loss Uniformity (dB)	0.8	1	1.2	1.5	1.8	2.0
Polarization Dependent Loss (dB)	0.2	0.3	0.3	0.3	0.3	0.5
Return Loss (dB)	≥50	≥50	≥50	≥50	≥50	≥50
Directivity (db)	≥55	≥55	≥55	≥55	≥55	≥55
Operating Temperature (°C)	-40~85					
Storage Temperature (°C)	-40~85					

Note:

1. Specified without connectors.
2. Add an additional 0.2dB loss per connector.